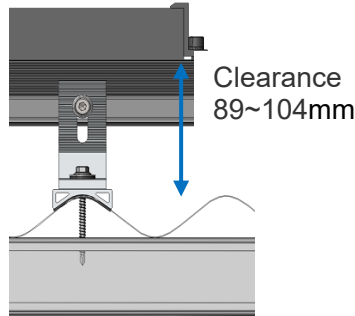
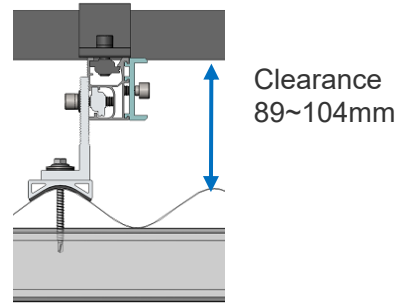


PV-ezRack SolarRoof Adapter (Puck) for Corrugated Tin Roof

- Assembly -

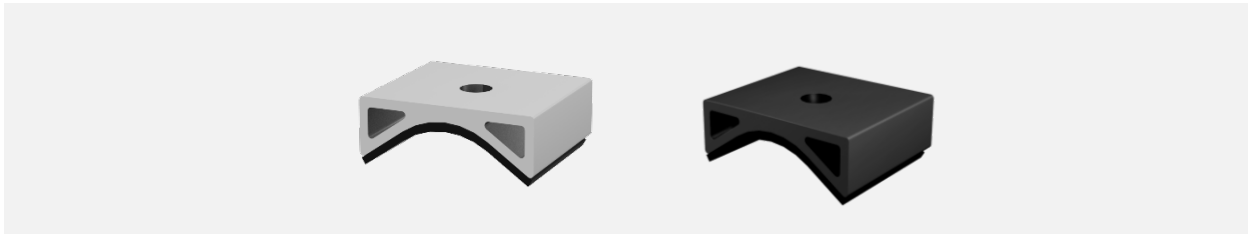


The rail is perpendicular to the rib of roof



The rail is parallel to the rib of roof

- Component -

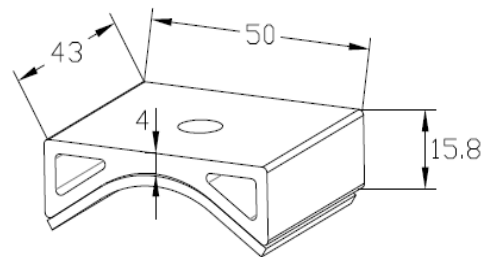


Adapter (Puck) for Corrugated Iron Roof, with EPDM

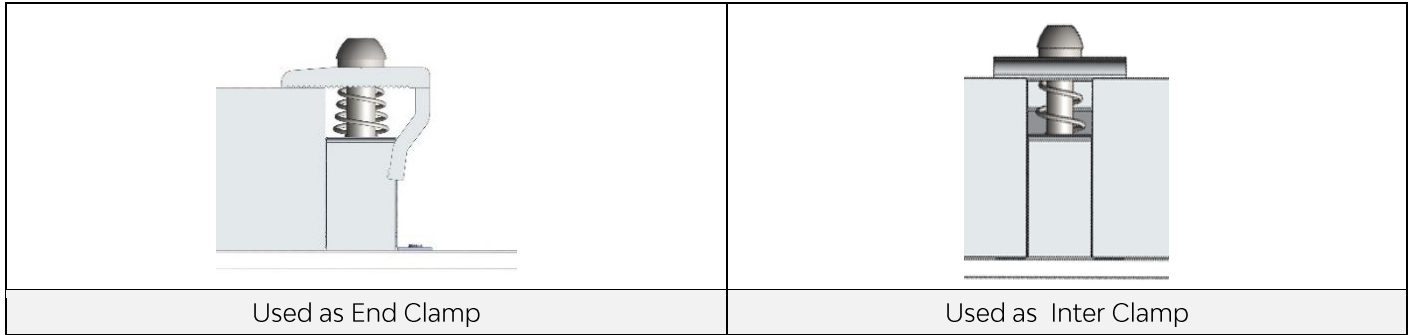
Part No.: EZ-AD-C43, EZ-AD-C43/BA

- Technical Specification -

Roof type	Corrugated Roof
Fixing method	Fixing into the metal purlin with Buildex 14-11 x 70 (14 gauge, 6.3 mm, 11 TPI, 70 mm long) Hex Head Zips Screw
EPDM	Pre-fitted (2mm thickness)
Dimensions	L50mm*W43mm*H15.8mm
Weight	0.042kg
Packaging	170 units per pack; 2 packs (340 units) per carton
Material	AL6005-T5
Color	Silver (anodized, no less than 10 μm) Black (full anodized)



Assembly



Component

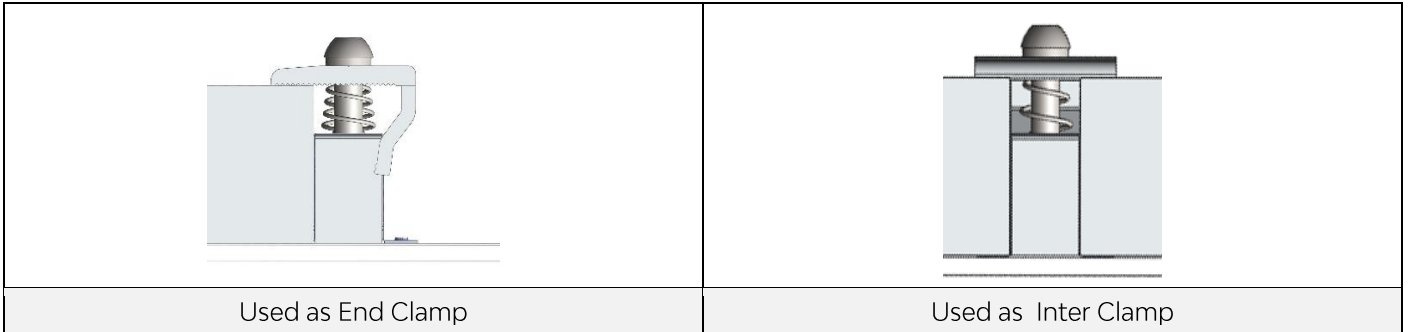


Technical Specification

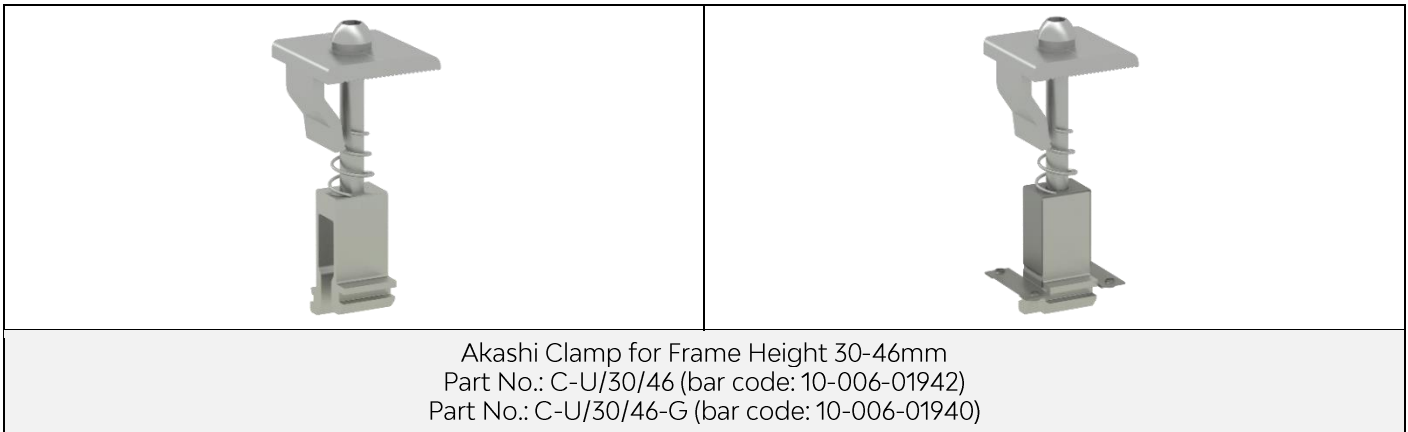
Application	C-U/30/46/BA and C-U/30/46-G/BA are for framed PV Modules of 30-46mm in height	
Requirement	C-U/30/46/BA and C-U/30/46-G/BA need 20mm space on each side of the Rail, need 20mm space between PV Modules	
Recommended Torque	13-14N·m	
Weight	C-U/30/46/BA: 0.068 kg C-U/30/46-G/BA: 0.072 Kg	
Packaging	30 units per pack, 4 packs (120 units) per carton	
Material	Main parts: AL6005-T5 Fasteners and Grounding Clip: SUS 304	
Color	Black (anodized, no less than 10 μm)	
Standard	BS EN1991-1, BS EN1991-3 and BS EN1991-4	

Akashi Clamp for Frame Height 30-46mm

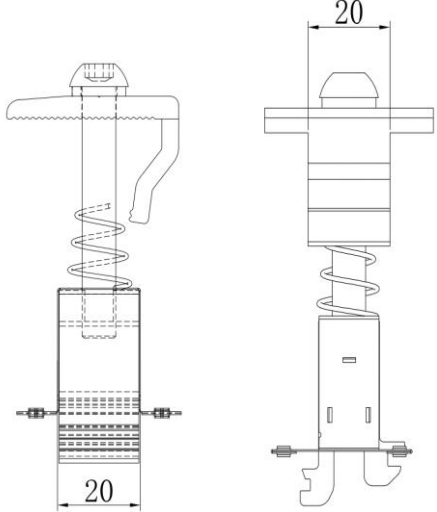
Assembly



Component

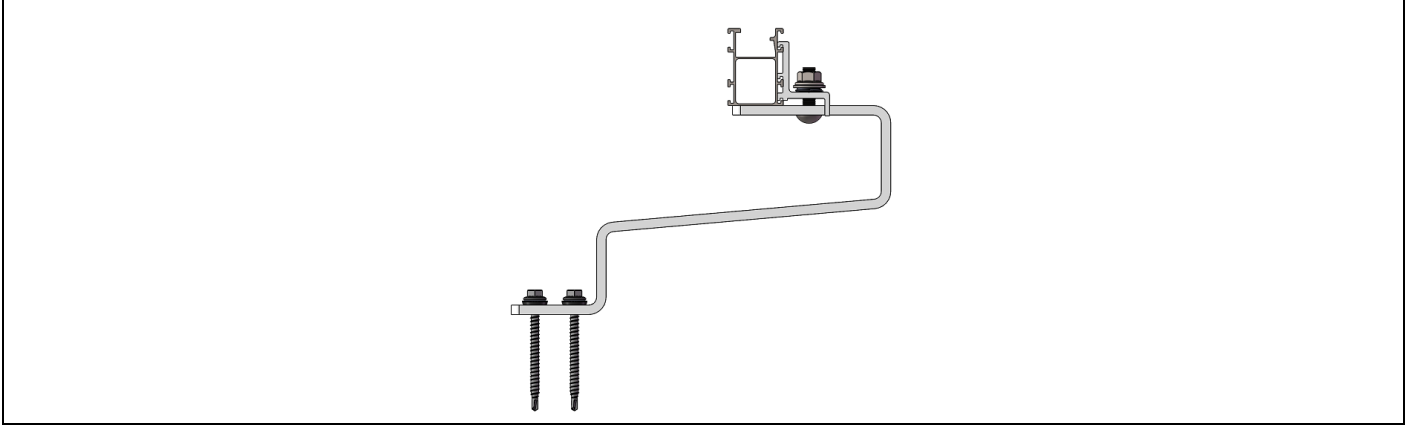


Technical Specification

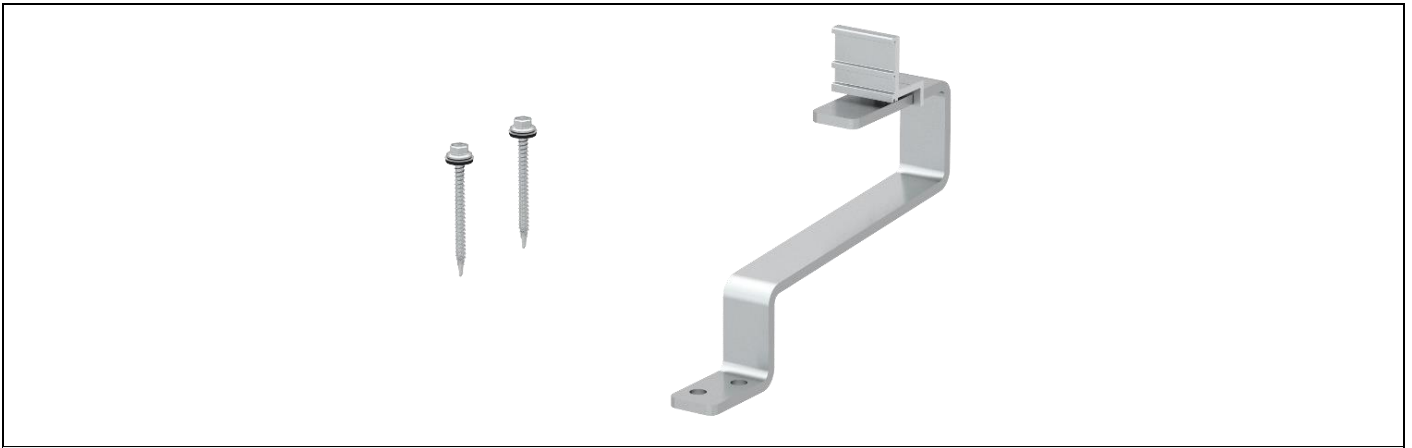
Application	C-U/30/46 and C-U/30/46-G are for framed PV Modules of 30-46mm in height	
Requirement	C-U/30/46 and C-U/30/46-G need 20mm space on each side of the Rail, need 20mm space between PV Modules	
Recommended Torque	13-14N·m	
Weight	C-U/30/46: 0.068 kg C-U/30/46-G: 0.072 kg	
Packaging	C-U/30/46: 70 units per pack, 4 packs (280 units) per carton C-U/30/46-G: 60 units per pack, 4 packs (240 units) per carton	
Material	Main parts: AL6005-T5 Fasteners and Grounding Clip: SUS 304	
Color	Silver (Anodized, no less than 10 μm, excluding machined surfaces)	
Standard	BS EN1991-1, BS EN1991-3 and BS EN1991-4	

Flat Tile Interface

Assembly

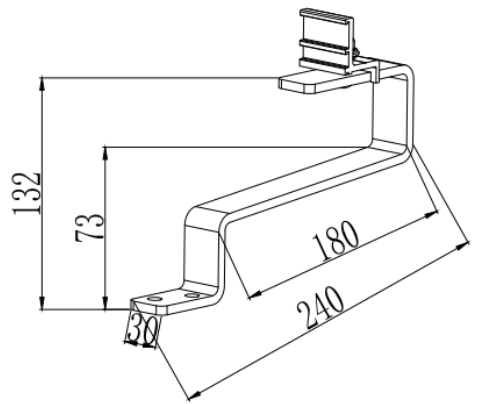


Component



Flat Tile Interface for Tegalit roof with 6.3x70 Buildex Screw
Part No.: ER-I-PRO/07 (bar code: 12-003-00063)

Technical Specification

Application	Slate/ plain tile roof on timber Rafter	
Screw Specification	2 x Buildex 14-11 x 70 (14 gauge, 6.3 mm, 11 TPI, 70 mm long) screw with 16 mm Aluminum Bonded Washer	
Roof pitch	From 15° to 60°	
Dimensions	L240*W30*H132mm	
Weight	0.733 kg	
Packaging	12 units per pack, 2 packs (24 units) per carton	
Material	Roof Hook: SUS304 Bolts/Washer/Nuts/Spring: SUS304 ezClip: AL6005-T5	
Standard	BS EN1991-1, BS EN1991-3 and BS EN1991-4	

Girder Extension for Solar Terrace II-A and III-A

- Assembly -



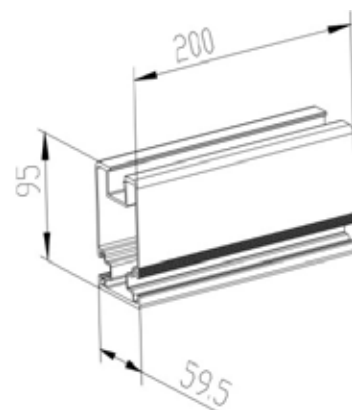
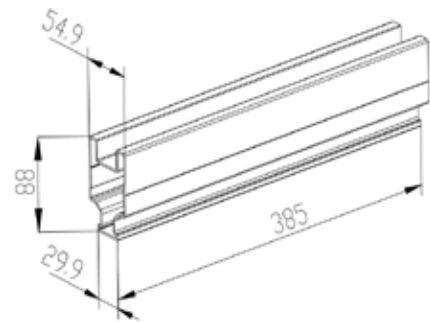
- Component -



Girder Extension for Solar Terrace II-A and III-A (200mm)
Part No.: GE-STA/200

- Technical Specification -

Application	1. STII-A or STIII-A support girder extension to 3200 mm from 2800 mm for panels up to 2.0 x 1.1 m 2. STII-A or STIII-A support girder extension to 3600 mm from 3200 mm for panels up to 2.2 x 1.1 m
Fixing Method	Fixing with 12 sets of self-tapping screw
Dimensions	Splice: L385*W54.9*H88mm Girder: L200*W59.5*H95mm
Weight	1267g
Packaging	12 units per carton
Material	Main structure: AL6005-T5 Self-tapping screw: SUS304
Color	Silver (anodized, no less than 10 μ m)
Standard	AS NZS1170.2-2011



Girder Extension for Solar Terrace II-A and III-A

- Assembly -



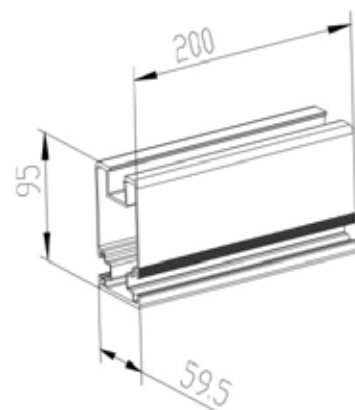
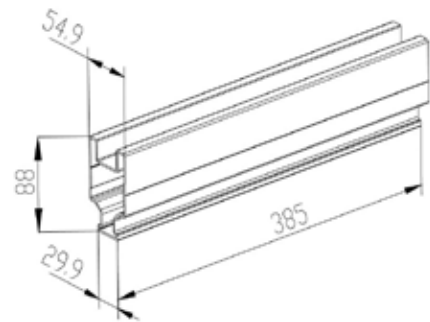
- Component -



Girder Extension for Solar Terrace II-A and III-A (200mm)
Part No.: GE-STA/200




- Technical Specification -

Application	1. STII-A or STIII-A support girder extension to 3200 mm from 2800 mm for panels up to 2.0 x 1.1 m 2. STII-A or STIII-A support girder extension to 3600 mm from 3200 mm for panels up to 2.2 x 1.1 m
Fixing Method	Fixing with 12 sets of self-tapping screw
Dimensions	Splice: L385*W54.9*H88mm Girder: L200*W59.5*H95mm
Weight	1267g
Packaging	12 units per carton
Material	Main structure: AL6005-T5 Self-tapping screw: SUS304
Color	Silver (anodized, no less than 10 μm)
Standard	AS NZS1170.2-2011




Grounding Lug, with U-Shape Copper Channel

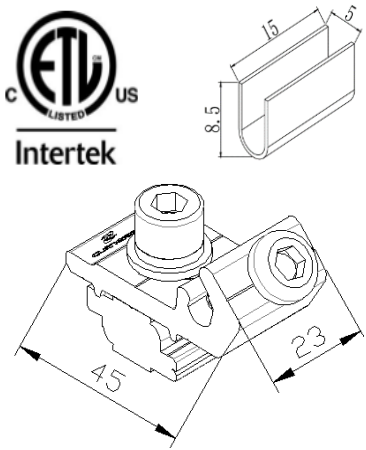
Assembly

		
<p>Fix Grounding Lug into either top or side rail channel</p>	<p>Insert U-Shape Copper Channel into Grounding Lug</p>	<p>Strip earthing cable and insert the conductor into copper channel. Tighten the bolt of M6*14 to ensure the earthing cable is tight</p>

Component

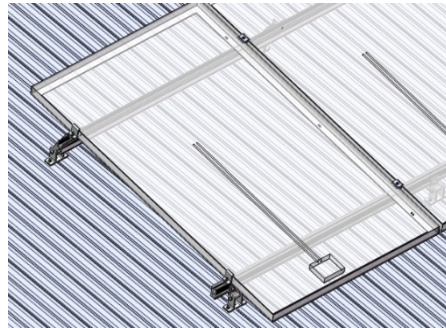

<p>Grounding Lug, with Clenergy Logo, with U-Shape Copper Channel Part No.: EZ-GL-ST/UC (bar code: 12-023-00023)</p>

Technical Specification

Application	For Clenergy' s PV Mounting System	
Fixing method	Fixing into Pro/ECO/T50/T110 Rail with Z module	
Max Cable Size	10 mm ²	
Dimensions	W23mm*L45mm	
Weight	0.096 Kg	
Packaging	80 units per pack, 4 packs (320 units) per carton	
Material	Lug: Hpb59-1 U-Shape Copper Channel: T2 Copper Bolt/Washer: SUS304 Z module: AL6005-T5	
Certification	Approved by ETL according to UL467-2013	
Standard	BS 7671 / VDE 0100	

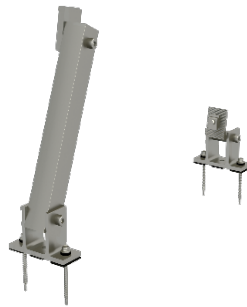
SolarRoof, Fixed Tilt Legs, preassembly

Assembly



Install on tin roof

Component



Fixed Tilt Legs, preassembly
Part No.: ER-TL-5/PS, ER-TL-10/PS

Technical Specification





Screw Specification	4 x Buildex 14-11 x 70 (14 gauge, 6.3 mm, 11 TPI, 70 mm long) Hex Head Zips screw
Weight	ER-TL-5/PS, 0.793 kg ER-TL-10/PS, 0.877 kg
Packaging	ER-TL-5/PS, 20 units per carton ER-TL-10/PS, 14 units per carton
Material	Tilt Legs: AL6005-T5; Fasteners: SUS304
Color	Silver (half-anodized no less than 10 µm)
Earthing	Yes
Standard	AS NZS1170.2-2011 National Building Code of Canada (NBC) 2020

Isolator Shade Side Plate

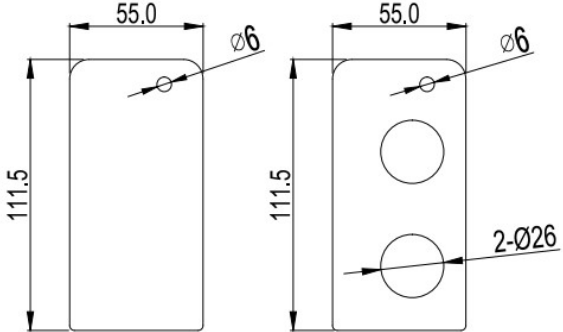
Assembly

	
Side Plate Assembly with Isolator Shade	Side Plate with Two Conduit Inserts Assembly with Isolator Shade

Component

			
Isolator Shade Side Plate Part No.: P-SR/IS (bar code: 10-007-00874)	Isolator Shade Side Plate, Black Anodised Part No.: P-SR/IS/BA (bar code: 10-007-00875)	Isolator Shade Side Plate with Two Conduit Inserts Part No.: P-2CI-SR/IS (bar code: 10-007-00876)	Isolator Shade Side Plate with Two Conduit Inserts, Black Anodised Part No.: P-2CI-SR/IS/BA (bar code: 10-007-00877)

Technical Specification

Application	Install with Isolator Shade, for PV Array DC Isolators	
Fixing Method	Fixing on two sides of Isolator Shade with Bolt M6*14	
Dimension	L111.5mm*W55mm*T1.5mm	
Packaging	720 pcs per carton	
Weight	P-SR/IS and P-SR/IS/BA: 0.025 kg/pcs; 18.3 kg/carton P-2CI-SR/IS and P-2CI-SR/IS/BA: 0.020 kg/pcs; 14.7kg/carton	
Packaging Dimension	L270*W210*H215mm (carton dimension)	
Material	AL1000 series-H24	
Finish	P-SR/IS and P-2CI-SR/IS: Mill Finish; P-SR/IS/BA and P-2CI-SR/IS/BA: Black Anodized (no less than 10 µm)	

PV-ezRack SolarRoof

Tin Interface with Curved Base for Corrugated Roof

- Component -

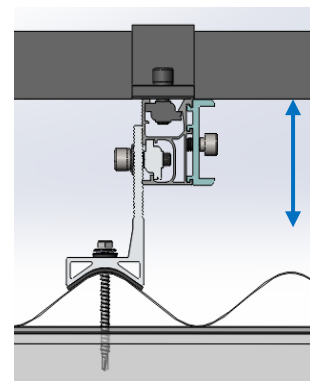


Tin Interface with Curved Base for Corrugated Roof (Z Module+ Bolt + Universal Screw)

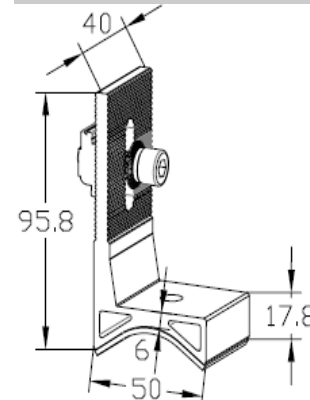
Part No.: ER-I-25, ER-I-25/BA

- Technical Specification -

Application	Corrugated Tin Roof
Purlin Requirement	Metal or Timber purlin
Screw Specification	Buildex 14-11 x 70 (14 gauge, 6.3 mm, 11 TPI, 70 mm long) Hex Head
EPDM	Pre-fitted (2mm thickness)
Dimensions	L40mm*W50mm*H95.8mm
Packaging	40 units per pack; 4 packs (160 units) per carton
Material	Main Structure: AL6005-T5 Bolts/washers/nuts: SUS 304
Weight	0.139 kg
Color	Silver (anodized, no less than 10 µm) Black (full anodized)
Standard	AS NZS1170.2-2011

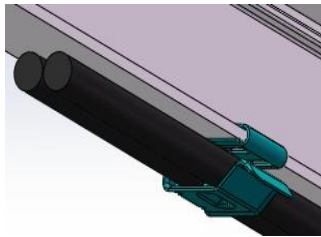


Clearance
89~104mm



Universal Cable Clip for PV Panels for holding 2 cables

- Assembly -



- Component -

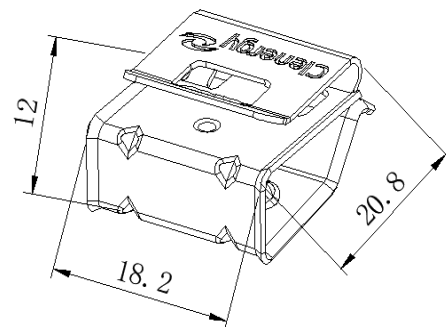


Universal Cable Clip for PV Panels for holding 2 cables

Part No.: EZ-CC-PV/2

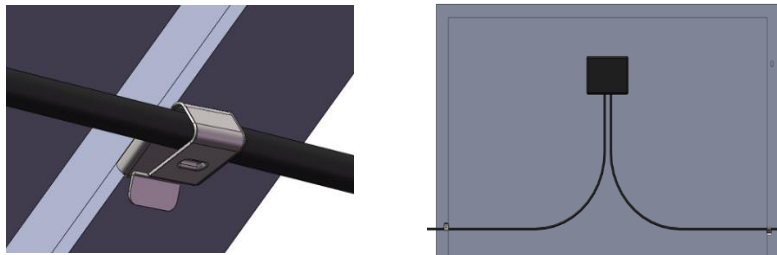
- Technical Specification -

Fixing method	Fixed on the frame of PV module, holding two cables
PV Module Type	For framed PV Module only
PV Module Frame Thickness	1.3-2.0 mm
Min PV Module Frame Width	12 mm
Max Cable Size	10 mm ²
Dimensions	L20.8mm*W18.2mm*H12mm
Weight	0.004 kg
Packaging	900 pcs per pack; 4 packs (3600 pcs) per carton
Material	SUS304 1/2H
Color	Silver
Standard	AS NZS1170.2-2011



Universal Cable Clip for PV Panels for holding 2 cables, Landscape

- Assembly -



- Component -

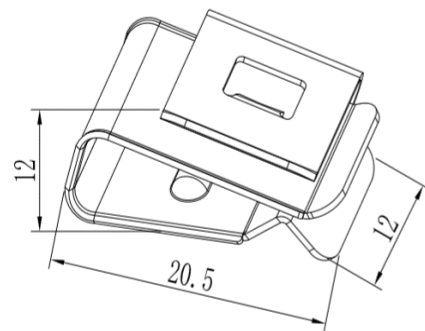


Universal Cable Clip for PV Panels for holding 2 cables, Landscape

Part No.: EZ-CC-PV/2/L

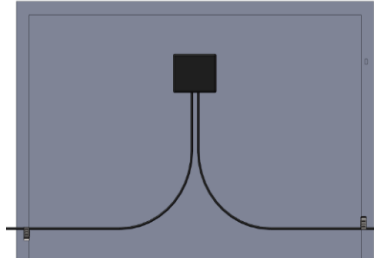
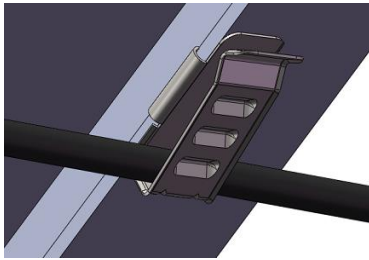
- Technical Specification -

Fixing method	Fixed on the frame of PV module, holding two cables
PV Module Type	For framed PV Module only
PV Module Frame Thickness	1.3-2.0 mm
Min PV Module Frame Width	12 mm
Max Cable Size	10 mm ²
Dimensions	L20.5mm*W12mm*H12mm
Weight	0.003kg
Packaging	900 pcs per pack; 4 packs (3600 pcs) per carton
Material	SUS304 3/4H
Color	Silver
Standard	AS NZS1170.2-2011

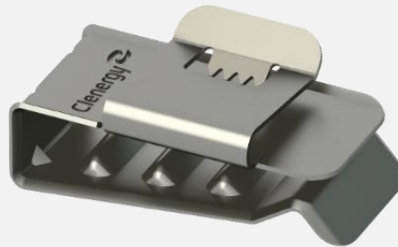


Universal Cable Clip for PV Panels for holding 4 cables, Landscape

- Assembly -



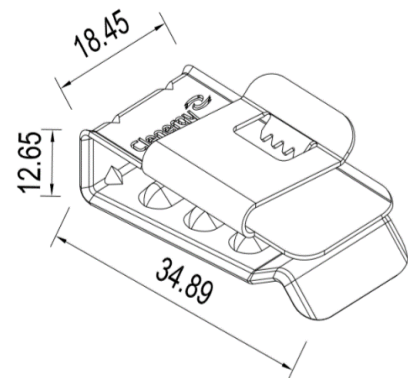
- Component -



Universal Cable Clip for PV Panels for holding 4 cables, Landscape
Part No.: EZ-CC-PV/4/L

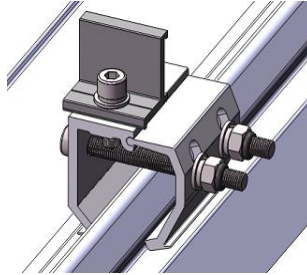
- Technical Specification -

Fixing method	Fixed on the frame of PV module, holding four cables
PV Module Type	For framed PV Module only
PV Module Frame Thickness	1.3-2.0 mm
Min PV Module Frame Width	8 mm
Max Cable Size	10 mm ²
Dimensions	L34.89mm*W18.45mm*H12.65mm
Weight	0.006kg
Packaging	600 pcs per pack; 4 packs (2400 pcs) per carton
Material	SUS304 3/4H
Color	Silver
Standard	AS NZS1170.2-2011



Universal Klip-lok Interface pre-assembly with Cross Connector Clamp

- Assembly -



- Component -

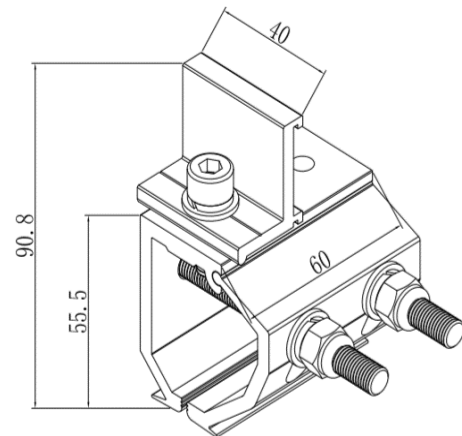


Universal Klip-lok Interface pre-assembly with Cross Connector Clamp

Part No.: ER-I-34/CRC, ER-I-34/CRC/BA

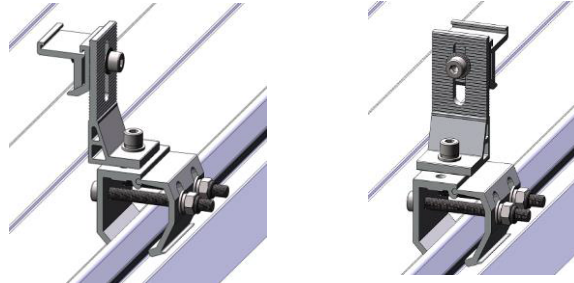
- Technical Specification -

Roof type	Klip-Lok 406, Klip-Lok 700 Classic, Klip-Lok 700 High Strength, Speed Deck Ultra, Kingklip 700, Topdek 700, Metroll Metlok 700, Metroll Metlok 500, Speed Deck 500, Revolution Maxline 340, Steeline Lokdek 680, Steeline Steel-Rib 500 (ST28), Lysaght Longline 305, BlueScope Rev-Klip 700
Fixing method	Fixing on crown/rib of metal sheet
Dimensions	L60mm*W88mm*H90.8mm
Weight	ER-I-34/CRC: 0.242 kg ER-I-34/CRC/BA: 0.251 kg
Packaging	16 units per pack; 4 packs (64 units) per
Material	Main parts: AL6005-T5 Fastener: Screws, Washers are made of SUS 304; Nuts are made of carbon steel with Zinc-nickel alloy coating O rubber rings: NBR
Color	Silver (anodized, no less than 10µm) Black (full anodized, no less than 10µm)
Standard	AS NZS1170.2-2011

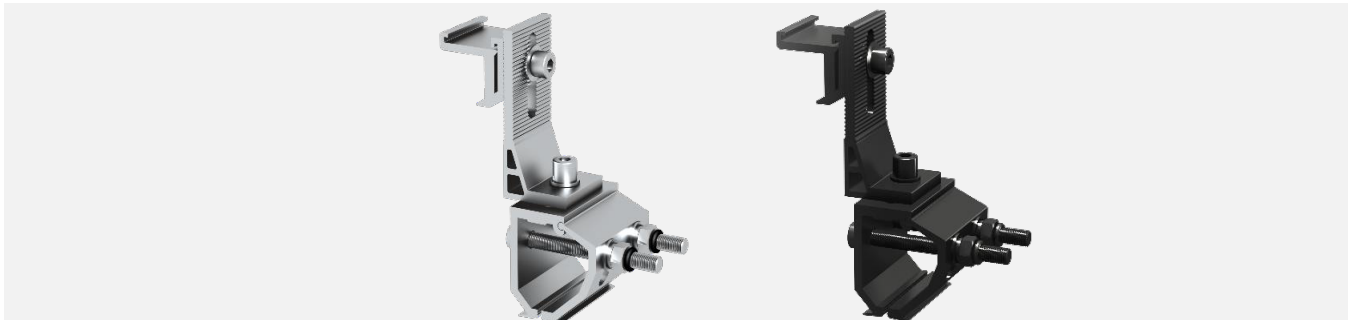


Universal Klip-lok Interface pre-assembly with Tin Interface A with ezClick module

- Assembly -



- Component -

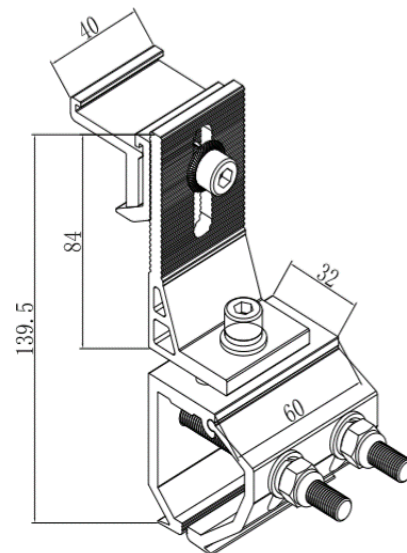


Universal Klip-lok Interface pre-assembly with Tin Interface A with ezClick module

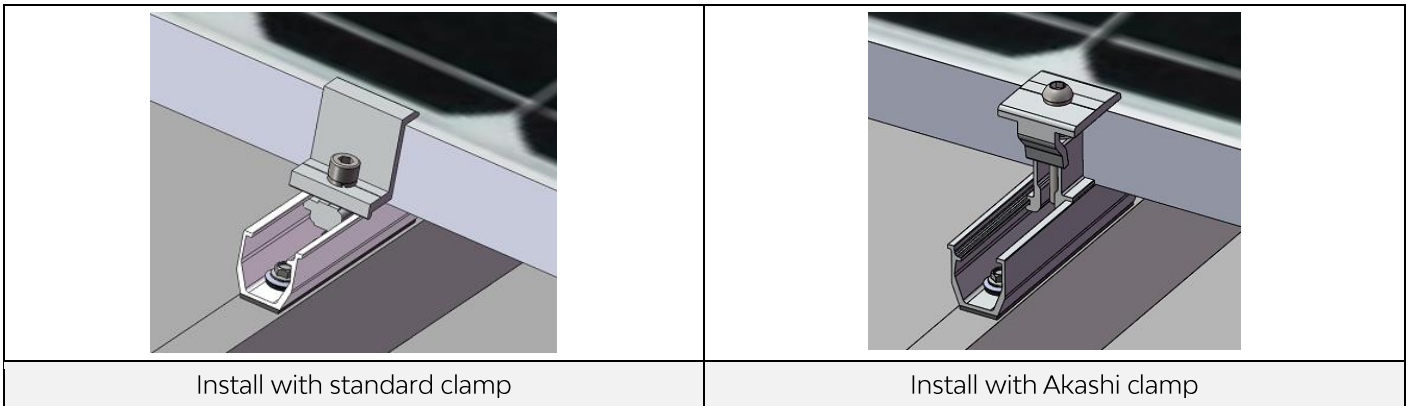
Part No.: ER-I-34/05A/EZC, ER-I-34/05A/EZC/BA

- Technical Specification -

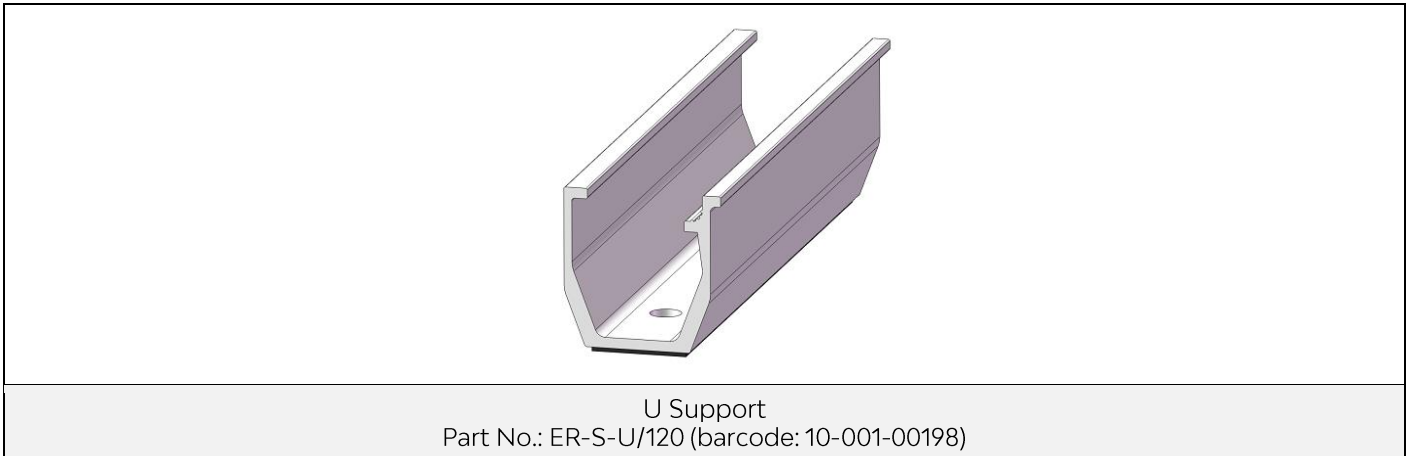
Roof type	Klip-Lok 406, Klip-Lok 700 Classic, Klip-Lok 700 High Strength, Speed Deck Ultra, Kingklip 700, Topdek 700, Metroll Metlok 700, Metroll Metlok 500, Speed Deck 500, Revolution Maxline 340, Steeline Lokdek 680, Steeline Steel-Rib 500 (ST28), Lysaght Longline 305, BlueScope Rev-Klip 700
Fixing method	Fixing on crown/rib of metal sheet
Dimensions	L60mm*W88mm*H139.5mm
Weight	ER-I-34/05A/EZC: 0.351 kg ER-I-34/05A/EZC/BA: 0.343 kg
Packaging	10 units per pack; 4 packs (40 units) per carton
Material	Main parts: AL6005-T5 Fastener: Screws, Washers are made of SUS 304; Nuts are made of carbon steel with Zinc-nickel alloy coating O rubber rings: NBR
Color	Silver (anodized, no less than 10µm) Black (full anodized, no less than 10µm)
Standard	AS NZS1170.2-2011



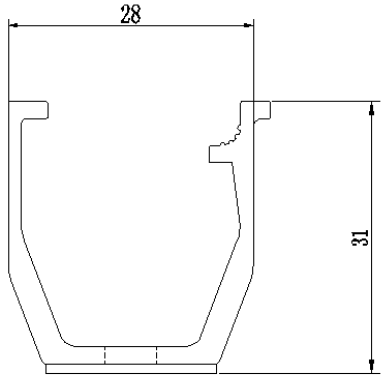
U Support



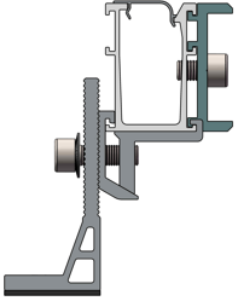
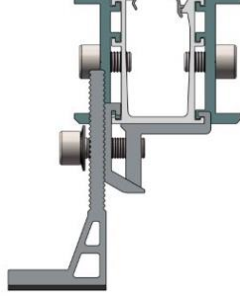
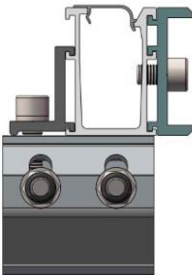
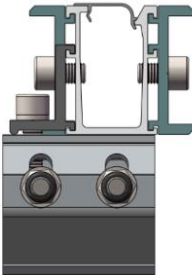
Component



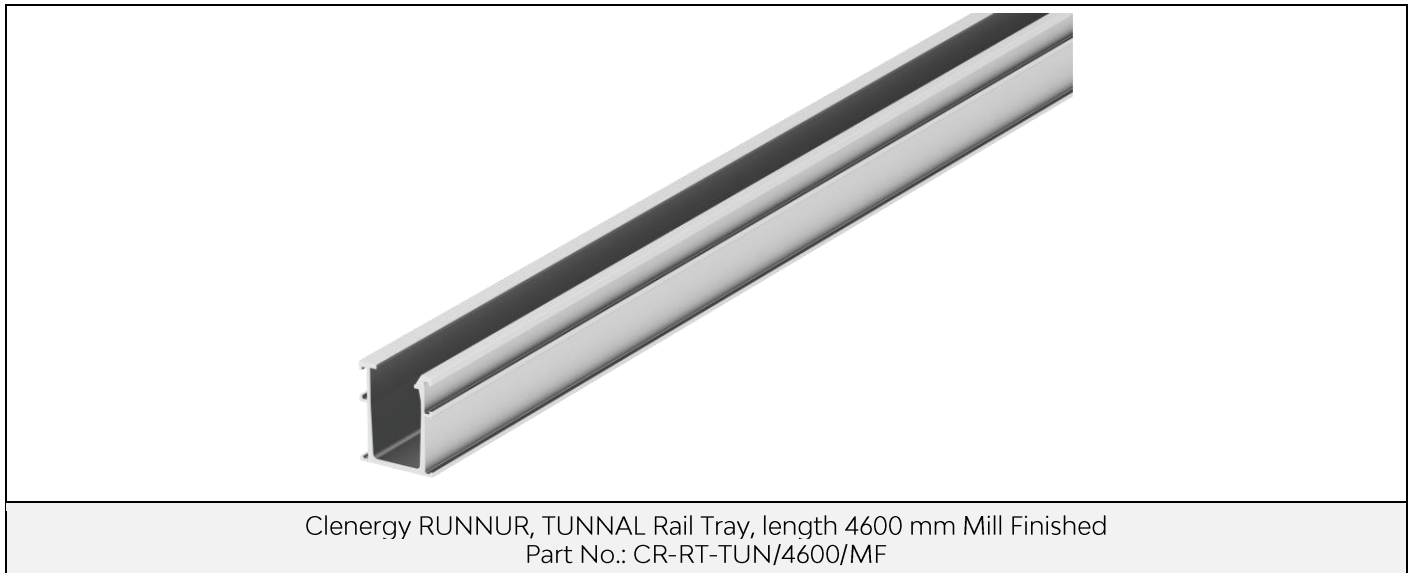
Technical Specification

Application	Trapezoidal Roof	
Roof pitch	From 3° to 45°	
Roof Sheet thickness	Aluminum: 0.5 – 2.0 mm Steel: 0.5 – 1.25 mm	
Fixing method	Fixed on the Metal roof with 3 Self-drilling screws	
EPDM	Pre-fitted (1mm thickness)	
Dimensions	L120mm*W28mm*H31mm	
Weight	0.062 Kg	
Packaging	80 units per pack, 4 packs (320 units) per carton	
Material	Main parts: AL6005-T5 Rubber Pad: EPDM	
Color	Silver	
Finish	Anodized (no less than 10 μm, excluding machined surfaces)	
Standard	BS EN1991-1, BS EN1991-3 and BS EN1991-4	

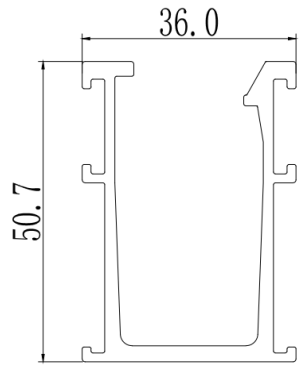
Assembly

			
With one set of splice	With two sets of splices	With one set of splice	With two sets of splices
Install with L feet		Install with Klip-lok Clamp (ER-I-34/CRC)	

Component



Technical Specification

Roof type	For PVezRack rooftop mounting system	
Dimension	W36.0mm*H50.7mm Standard Length: 4600mm	
Weight	0.947 Kg/m	
Packaging	96 pcs per pack; 4 packs (384 pcs) per pallet	
Material	AL6005-T5	
Color	Silver	
Finish	Mill Finished	
Standard	GB50797 AS NZS1170.2 EN1991 JISC8955 ASCE 7-10	

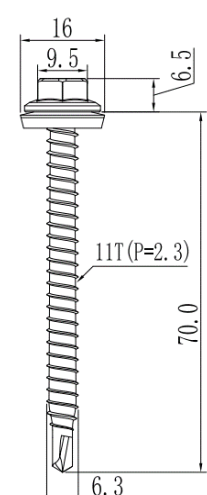
Buildex Self-drilling Universal Screw

Component



Self-drilling Universal Screw, Buildex 14-11 x 70 Hex Head Zips Climaseal 3 with 16 mm ABW
Part No.: US-6.3/70-BW/BX

Technical Specification

Screw Specification	14 gauge, 11 TPI, 70 mm long with 16 mm Aluminum Bonded Washer	
Pullout Values for Timber Purlin	Softwood - 35 mm Embedment: 3,450 N Hardwood - 35 mm Embedment: 6,200 N	
Pullout Values for Steel Purlin	Fy: 450 Mpa - 1.5 mm: 3,950 N Fy: 450 Mpa - 1.9 mm: 5,450 N	
Weight	15 g	
Packaging	500 pcs per pack; 2 packs (1000 pcs) per carton	
Material	Carbon Steel SAE 1022	
Finish	Climaseal 3	
Corrosion Protection	Up to C3	
Standard	BS EN1991-1, BS EN1991-3 and BS EN1991-4	